

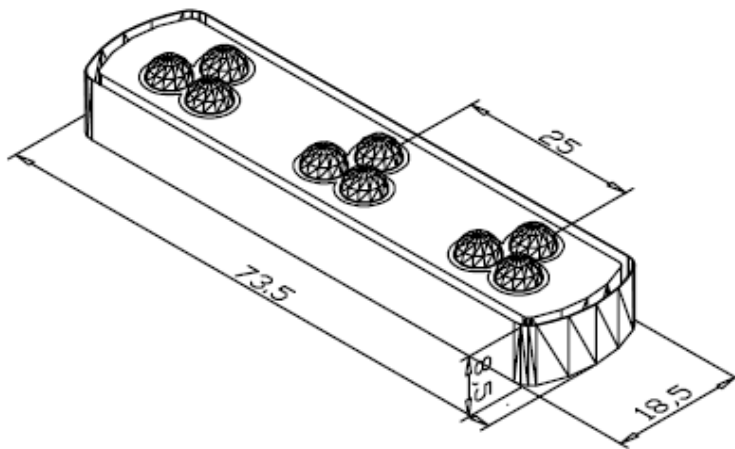


LED Module JE-006M Specification

Description



Dimensions (mm)



Notes:

1. Tolerance is ± 0.25 unless otherwise noted.
2. Marked spacing is measured.
3. Specifications are subject to change without notice.

LED SPEC

Part No.	Dice	Lens Type	Iv (mcd) @20mA		Viewing Angle 2 θ 1/2
			Min.	Typ.	



LED Module JE-006M Specification

JE-006M	Ultra Bright	Red TRANSPARENT		650 x 3	120°
	Ultra Bright	Green TRANSPARENT		950 x 3	120°
	Ultra Bright	Blue TRANSPARENT		350 x 3	120°

Electrical / Optical characteristics at $T_A=25^{\circ}\text{C}$

Parameter	Typ.	Max.	Units
Dominate Wavelength (R)	623	625	nm
Dominate Wavelength (G)	523	525	nm
Dominate Wavelength (B)	473	475	nm
Forward Voltage	12	12.2	V
Standing Current (for single color)	18	20	mA
Power dissipation (all LED lighting)	3X216	3X244	mW
Operating temperature	-50°C To +80°C		