

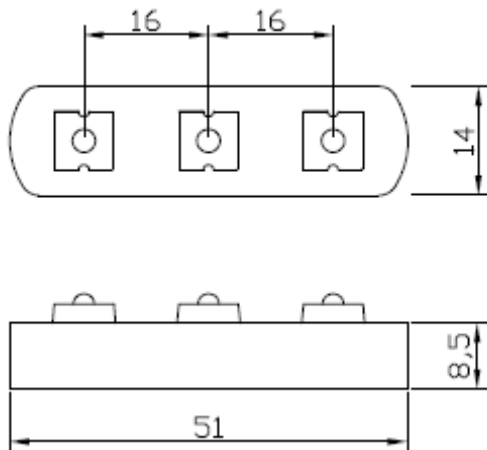


LED Module JE-004W-03 Specification

Description



Dimensions (mm)



Notes:

1. All dimensions are in millimeters.
2. Tolerance is ± 0.25 unless otherwise noted.
3. Specifications are subject to change without notice.
4. Lead spacing is measured where the lead emerge package.

Specification

Part number	Description	Lens Type	Intensity(mcd)@20mA		Viewing Angle
			Min.	Typ.	2 θ 1/2
JE-004W-03	white	Water Clear	1200x 3	1400 x3	120 \pm 5

Electrical / Optical characteristics at T_A=25°C

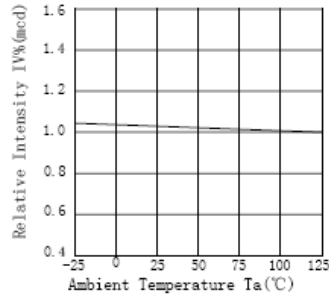
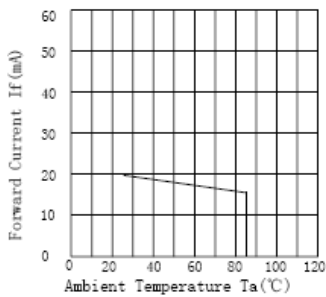


LED Module JE-004W-03 Specification

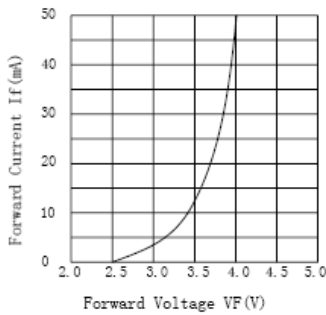
Parameter	Typ.	Max.	Units
Color temperature	6500	7500	K
Forward Voltage	12	12.2	mA
Standing Current	18	20	mA
Power consumption	216	240	mW
Operating temperature	-50°C To +80°C		

LED Typical Optical/Electrical Characteristics Curves (Ta=25°C Unless Otherwise Noted)

Forward Current vs. Ambient Temperature Relative Intensity vs. Ambient Temperature



Forward Current vs. Forward Voltage



Forward Voltage vs. Ambient Temperature

