

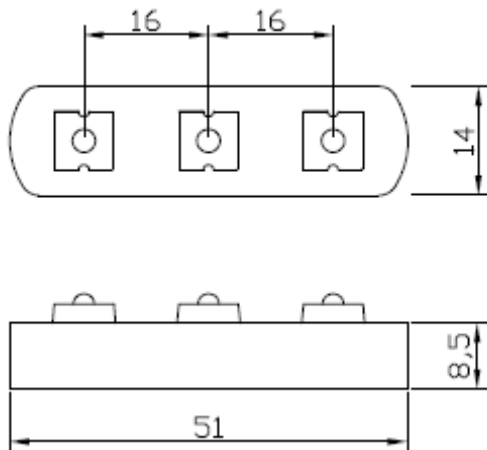


LED Module JE-003B-03 Specification

Description



Dimensions (mm)



Notes:

1. All dimensions are in millimeters.
2. Tolerance is ± 0.25 unless otherwise noted.
3. Specifications are subject to change without notice.
4. Lead spacing is measured where the lead emerge package.

Specification

Part number	Description	Lens Type	Intensity(mcd)@20A		Viewing Angle
			Min.	Typ.	2 θ 1/2
JE-003B-03	Ultra Bright Blue	Water Clear	500x 3	700 x3	100°----120°

Electrical / Optical characteristics at $T_A=25^\circ\text{C}$



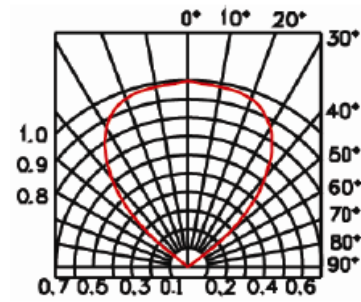
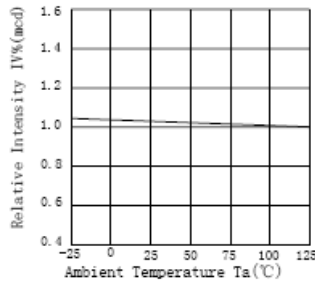
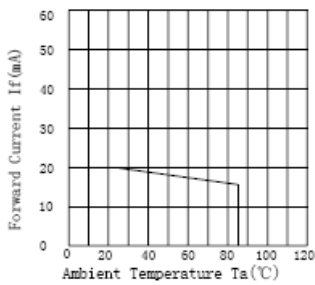
LED Module JE-003B-03 Specification

Parameter	Typ.	Max.	Units
Dominate Wavelength	465	470	nm
Forward Voltage	12	12.2	mA
Standing Current	18	20	mA
Power consumption	216	240	mW
Operating temperature	-50°C To +80°C		

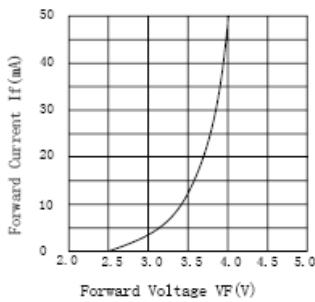
LED Typical Optical/Electrical Characteristics Curves

(Ta=25°C Unless Otherwise Noted)

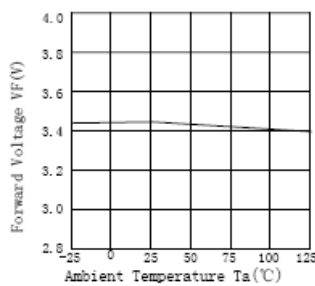
Forward Current vs. Ambient Temperature Relative Intensity vs. Ambient Temperature



Forward Current vs. Forward Voltage



Forward Voltage vs. Ambient Temperature



Luminous Spectrum (Ta=25°C) SPECTRAL RADIANCE

