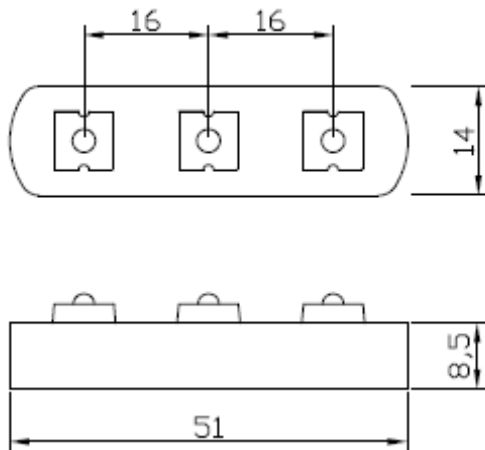




## Description



## Dimensions (mm)



### Notes:

1. All dimensions are in millimeters.
2. Tolerance is  $\pm 0.25$  unless otherwise noted.
3. Specifications are subject to change without notice.
4. Lead spacing is measured where the lead emerge package.

## Specification

Part number	Description	Lens Type	Intensity(mcd)@20mA		Viewing Angle
			Min.	Typ.	2 $\theta$ 1/2
JE-004G-03	Ultra Bright Green	Water clear	1100x 3	1250 x3	120° $\pm$ 5



# LED Module JE-002G-03 Specification

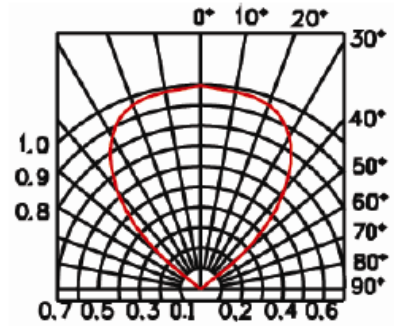
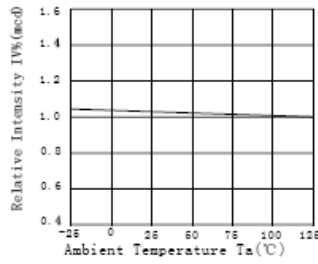
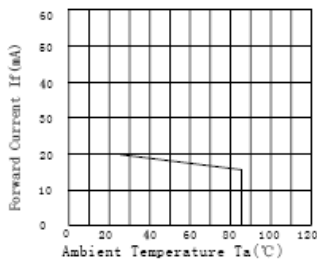
## Electrical / Optical characteristics at $T_A=25^\circ\text{C}$

Parameter	Typ.	Max.	Units
Dominate Wavelength	515	520	nm
Forward Voltage	12	12.2	mA
Standing Current	18	20	mA
Power consumption	216	240	mW
Operating temperature	-50°C To +80°C		

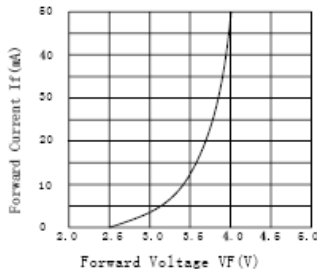
## LED Typical Optical/Electrical Characteristics Curves

( $T_A=25^\circ\text{C}$  Unless Otherwise Noted)

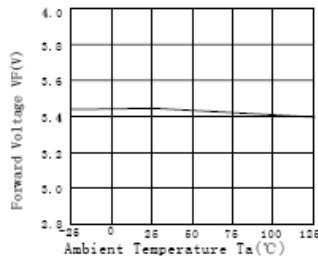
Forward Current vs. Ambient Temperature    Relative Intensity vs. Ambient Temperature



Forward Current vs. Forward Voltage



Forward Voltage vs. Ambient Temperature



Luminous Spetrum ( $T_A=25^\circ\text{C}$ )    SPECTRAL RADIANCE

