



## HM-12RGB8A3-EX Power Extension Drive

# Manual



### Overview

Thanks for choosing LTECH Multifunctional LED Controller. We strongly recommend you to read this manual carefully before the installation and usage. Make sure you have completely understood the instructions so as to ensure normal working of the controller, be familiar with all of the operating skills.

Before opening the package, please check if there's damage or defect during transportation, if damage occurs, please don't use it and inform your supplier immediately.

### Safety

In order to ensure a perfect quality of the product and a safe usage, please kindly follow the instructions.

Suppliers don't take charge of any problems or damages that occur due to mishandling such as an operation not permitted in this manual.



## HM-12RGB8A3-EX USER MANUAL

---



To avoid careless damages and bringing you loss, please read the following statements carefully.

- 1、 To reduce the risk of electrical shock or fire, don't expose this unit to rain or moisture.
- 2、 Please avoid install this controller in lightening, intense magnetic and high-voltage fields.
- 3、 The controller for indoor use only, use outdoor, make sure waterproof.
- 4、 Make sure correct connection to avoid fire and damage caused by short circuit.
- 5、 Always be sure to mount this unit in an area that will allow proper ventilation to ensure a fitting temperature.
- 6、 Please check if local voltage and power adapter meet the controller requirements, and if power positive or negative pole definition is the same as controller.
- 7、 Choose an install place where can withstand 10 times the weight of the product to ensure a solid installation
- 8、 Wipe the cover with soft cloth dipped a little neutral detergent, be sure not to use any sandpaper, polishing powder、 alcohol, gasoline etc.
- 9、 Don't connect cables with power on; make sure a correct connection and no short circuit checked with instrument before power on.
- 10、 Don't alter or tear up the label on controller for future system maintenance.
- 11、 Please don't open controller cover and operate if problems occur, let alone soldering, modify soldering on the controller circuit or dismantle CMOS chips

If you need spare parts, please choose genuine version.

If you have any questions, please contact your supplier.

This manual applies to this model product only, for more information, please contact our staff.

### **Product Brief**

HM-12RGB8A3-EX Power Extension Drive is used to have immense power expansion to control more quantity of LED lights, when LT-300、LT-310、LT-DMX512-3、LT-1810 controller's driving power isn't high enough to meet the actual demands, through HM-12RGB8A3-EX, you can have unlimited power expansion to meet the actual power load demands, and then is capable to connect any quantity of LED lights.

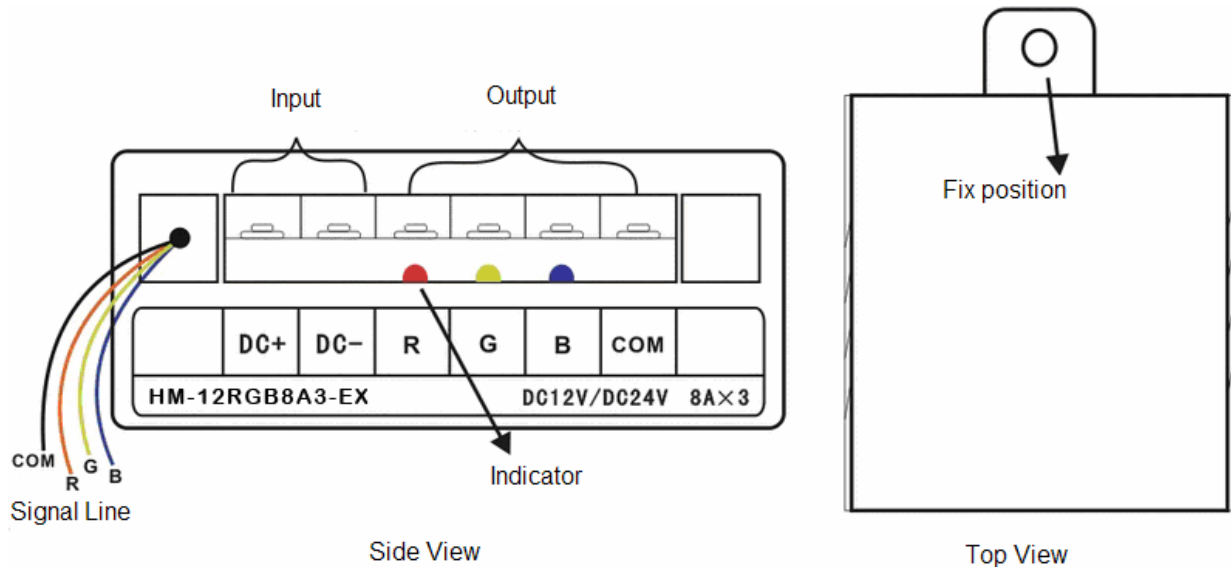
—、 Specifications:



# HM-12RGB8A3-EX USER MANUAL

Part No: <b>HM-12RGB8A3-EX-DC12V-DC24V</b>	
Input Voltage: DC12V-DC24V	Protection: Overload auto protection
Output Voltage:DC12V-DC24V	Operating Temp: -35℃ – 70℃
Current Output: 8A/chnl×3	Size: L135×W95×H40(mm)
Power Consumption: < 1W	Casing size: 155×105×55mm
Total Power Output: 1~600W(24V)	Net Weight: 0.4kg
1~300W(12V)	

## 二、 Configuration Diagram



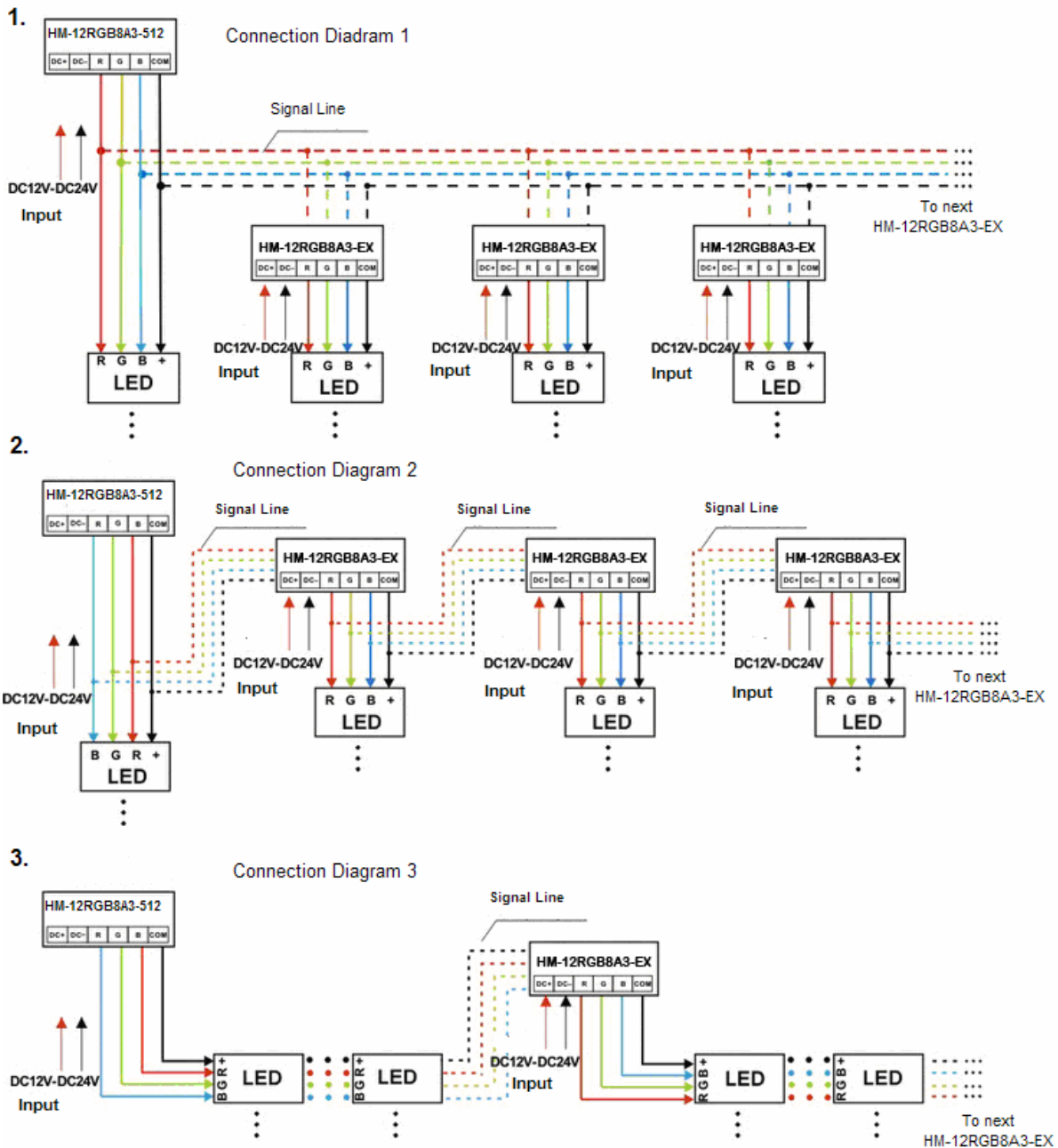
## Exception Handles :

Malfunction	Causation	Settle
No light	1. No power from plug. 2. Overload protection is in action 3. Incorrect connection	1、 Check the socket. 2、 Decrease power load, re-power on. 3、 Check the connection
Incorrect color	2. Incorrect RGB connection	4、 Check RGB connection

## 三、 Conjunction Diagram :



# HM-12RGB8A3-EX USER MANUAL



Note:

1. All above 3 ways of connection could be used together in same project.
2. The input signal to HM-12RGB8A3-EX could be acquired from anywhere of the whole system as long as connected correct signal lines.
3. The connection wire of signal line should be within 50 feet.