



HM-12RGB6A3-EX

LED Power Amplification

(Version V1.00)

User's Manual



(Please kindly read through this manual before use)

Foreword

Thanks for choosing our HM-12RGB6A3-EX Full Color Multifunction Controller. Before installation and usage, we strongly recommend you to read through this manual carefully.

After-sales service

From the day you purchase our products within a year, if being used properly in accordance with the instruction, and quality problems occur, we provide free repair or replacement services except the following cases:



HM-12RGB6A3-EX USER MANUAL

1. Any defects caused by wrong operations...
2. Any damages caused by unauthorized removal, maintenance, modifying circuit, incorrect connections and replacing chips.
3. Any damages due to transportation, vibration etc after the purchase.
4. Any damages caused by earthquake, fire, lightning strike, pollution and abnormal voltage.
5. Any damages caused by negligence, inappropriate storing at high temperature and humidity environment or near harmful chemicals.
6. Product has been updated.

Safety Warnings

1. Please don't install this controller in lightening, intense magnetic and high-voltage fields.
2. To reduce the risk of component damage and fire caused by short circuit, make sure correct connection
3. Always be sure to mount this unit in an area that will allow proper ventilation to ensure a fitting temperature.
4. Check if the voltage and power adapter suit the controller & if anode or cathode definition is the same as the controller's.
5. Don't connect cables with power on; make sure a correct connection and no short circuit checked with instrument before power on.
6. Please don't open controller cover and operate if problems occur.

For update information, kindly please consult with your supplier.

Product Introduction

HM-12RGB6A3-EX Power Amplification is used to expand LED controller output power unlimitedly, to control more LED lights, suitable to work with all our power output controllers.

I . Specification:

Part No : HM-12RGB6A3-EX

Power Input : DC5V-DC24V	Protection	Overload Protection
Output Current : 6A/CHx3	Working Temp :	-35°C — 55°C
Consumption : < 1W	Dimension :	L121xW39xH39(mm)
Output Power : 1~90W(5V)	Package size :	L123xW42xH42(mm)
1~220W(12V) 1~450W(24V)	Weight(G. W.) :	100g

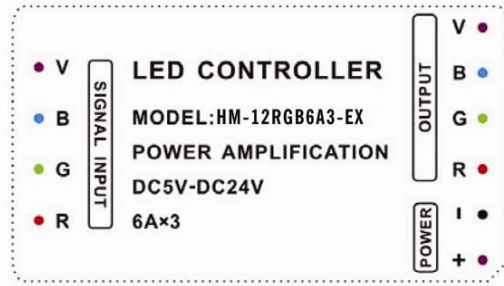
II . Features:

- 1、 Three RGB channels, output current: 6A/channel x3.
- 2、 Accept PWM control method.
- 3、 Unlimited connection qty, unlimited power output expansion.
- 4、 Auto load protection , auto default recovery.

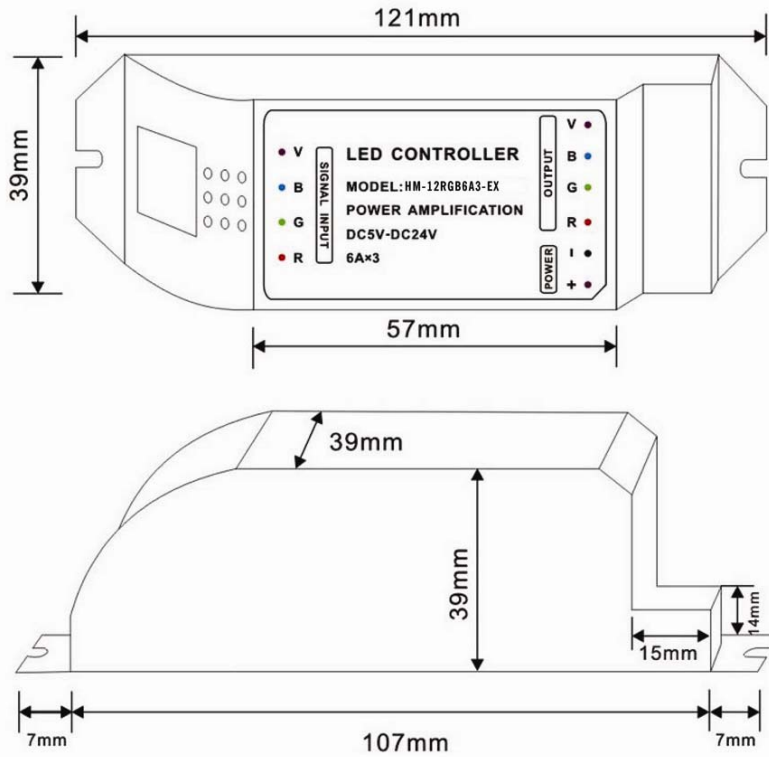
III . Product aspect:



HM-12RGB6A3-EX USER MANUAL



IV. Dimension:



V. Exception handles

Fault Case	Reasons	Solutions
No light	1、No power from plug 2、At black mode 3、The fuse broken 4、Incorrect connection	1、Change the socket 2、Change the running mote 3、Replace the fuse 4、Check the connection
incorrect Color	5、Wrong RGB connection	5、Check RGB connection
Non	6、Wrong sync cable	6、Check sync cable

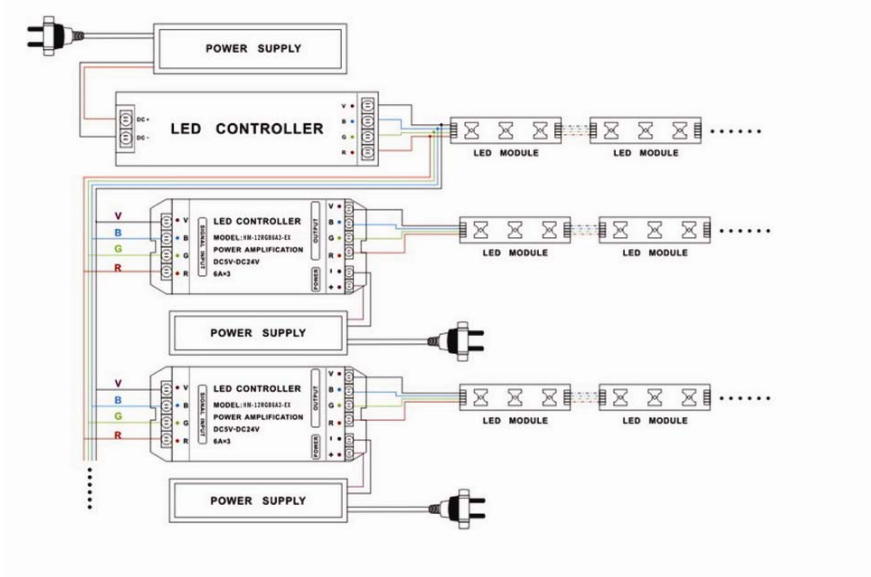


HM-12RGB6A3-EX USER MANUAL

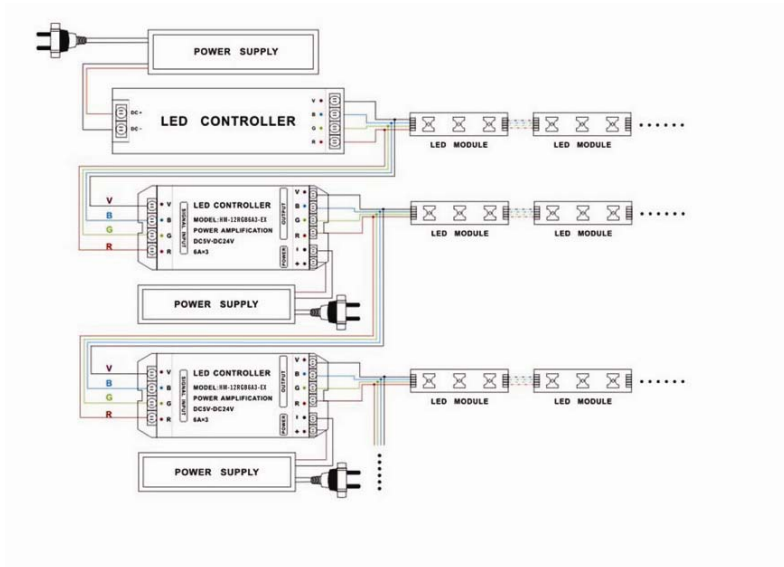
VI. Conjunction diagram (e.g.: LED module)

Usually 3 connecting methods, these 3 methods can be mixed in applications.

Method 1:



Method 2:



Method 3:



HM-12RGB6A3-EX USER MANUAL

