



# HM-12RGB5A3-RC LED RGB CONTROLLER

(Version V2.00)

# Manual



## Safety

Thanks for choosing our HM-12RGB5A3-RC Full Color Multifunction Controller. Before installation and usage, we strongly recommend you to read through this manual carefully.

1. Please don't install this controller in lightning, intense magnetic and high-voltage fields.
2. To reduce the risk of component damage and fire caused by short circuit, make sure correct connection
3. Always be sure to mount this unit in an area that will allow proper ventilation to ensure a fitting temperature.
4. Check if the voltage and power adapter suit the controller & if anode or cathode definition is the same as the controller's.
5. Don't connect cables with power on; make sure a correct connection and no short circuit checked with instrument before power on.
6. Please don't open controller cover and operate if problems occur.

For update information, kindly please consult with your supplier.

---



# HM-12RGB5A3-RC USER MANUAL

---

## Product brief

HM-12RGB5A3-RC Full-color Multifunction Controller is dedicated to control color changes of LED lights with 4-pin 3-loop cables (common anode). It can be controlled through manual buttons and its match remote controller. Also this unit can run standalone or networking with multi controller (working with HM-12RGB5A3-EX power expansion, output voltage can be unlimitedly expanded)

### I . Performance Parameter:

#### Model : HM-12RGB5A3-RC

Input Power :	DC8V-DC24V	Speed :	16 level
Output Current :	5A/CHx3	Brightness Adjust :	0-8 level
Consumption :	< 1W	Protection :	auto Overload Protection
Output Power :	1~120W(8V) 1~220W(12V) 1~400W(24V)	Working Tem :	-35°C – 55°C
Mode :	5	Dimension :	L211xW40xH30(mm)
Gray Scale :	256 level per RGB	Package :	L220xW43xH33(mm)
Remote Control :	50 m	Weight :	210g

### II . Functions:

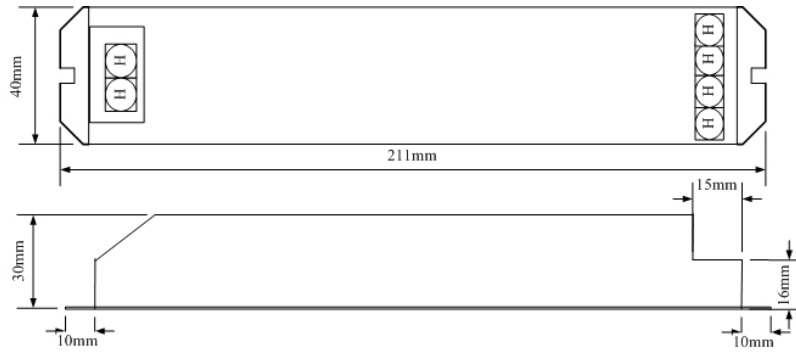
1. Controlled both by manual buttons and its fitting remote controller, control distance can reach as far as 50m. If in the spacious place or add signal antenna, the control distance can be up to 1000m.
2. Three RGB channels, Output current: 5A/ch x3
3. 5 skip, gradual changing modes, Gray grade: 256 levels per RGB
4. 1-16 speed level for each mode, can be chosen separately
5. 0-8 brightness level for each mode, can be choose separately
6. The current color depth of LED light can be stored with the function of Pause
7. Used independently or connected to HM-12RGB5A3-RC power extension module, unlimited quantities, to have an unlimited power expansion output
8. Auto load protection , auto default recovery.

### III. Product Structure:

---

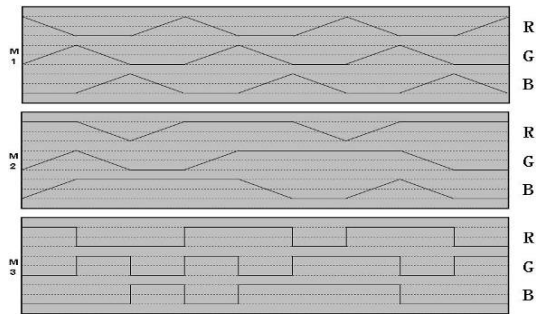


# HM-12RGB5A3-RC USER MANUAL

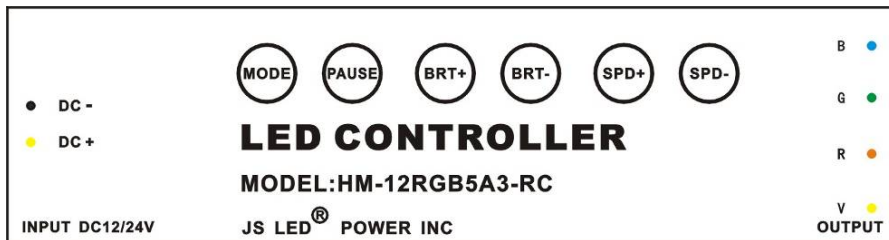


## IV. Changing Modes List

Mode Name	Mode Description
M1	Seven Color Flash
M2	Leaning Color Fade
M3	Full Color Fade
M4	Loop
M5-11	Seven Fixation Color



## V. How to use it





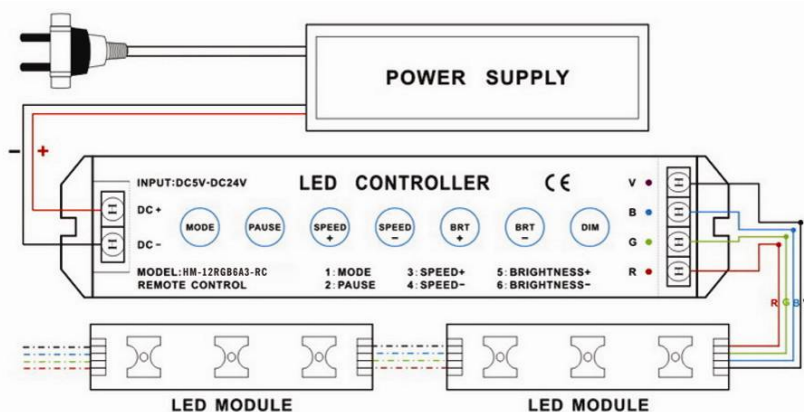
# HM-12RGB5A3-RC USER MANUAL

RC button	Controller button	Instruction
1	MODE	Press to change modes
2	PAUSE	Press to stay at the current color, press again any button, color change continues.
3	SPEED+	To increase speed by every press.
4	SPEED-	To decrease speed by every press.

## VI. Exception Handles:

Fault Case	Reasons	Solutions
No light	1、No power from plug 2、At black mode 3、The fuse broken 4、Incorrect connection	1、Change the socket 2、Change the running mote 3、Replace the fuse 4、Check the connection
Incorrect Color, not synchronous	5、Incorrect RGB connection 6、Wrong sync-cable connection	5、Check RGB connection 6、Check sync-cable
No running light	7、Running light off.	7、Press DIM to turn on.

## VI. Conjunction Diagram (LED module as an example)



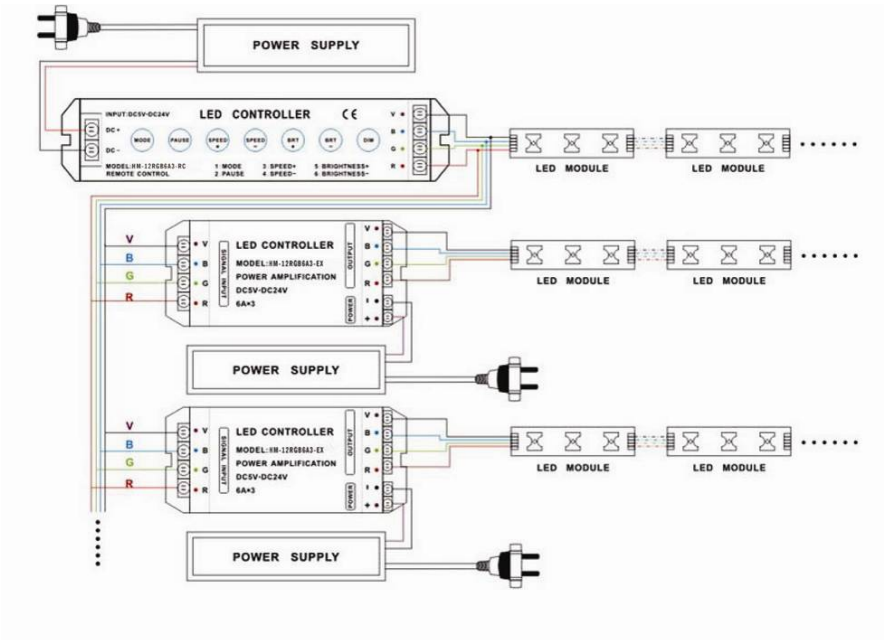
## VII. Connecting to power extension (LED module as an example)

Usually 3 connecting methods, these 3 methods can be mixed in applications.

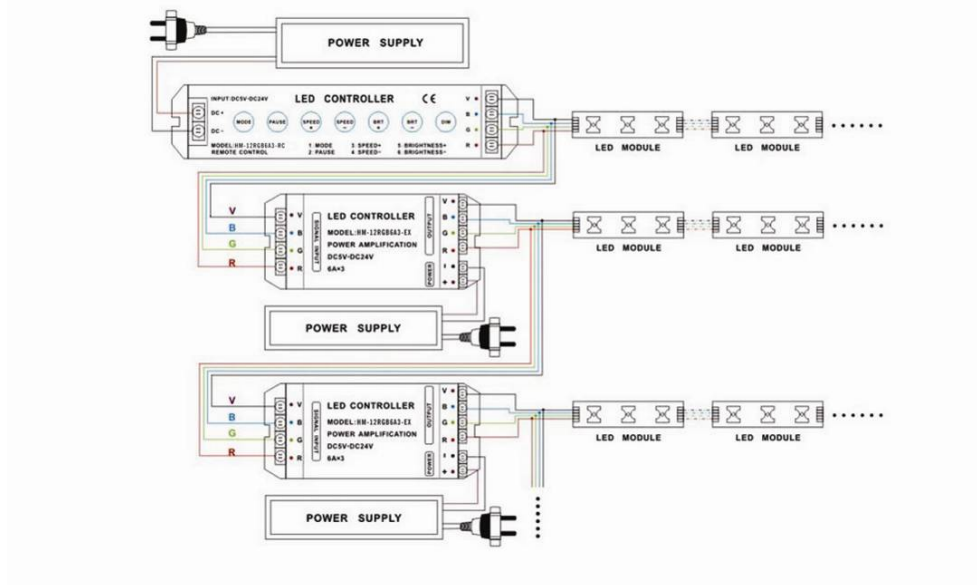
Method 1:



# HM-12RGB5A3-RC USER MANUAL



Method 2:





# HM-12RGB5A3-RC USER MANUAL

## Method 3:

